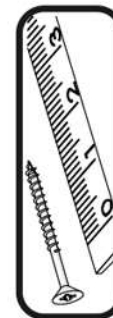
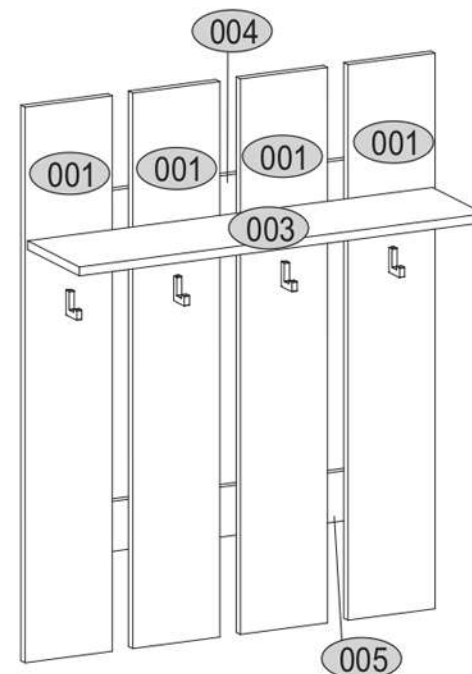
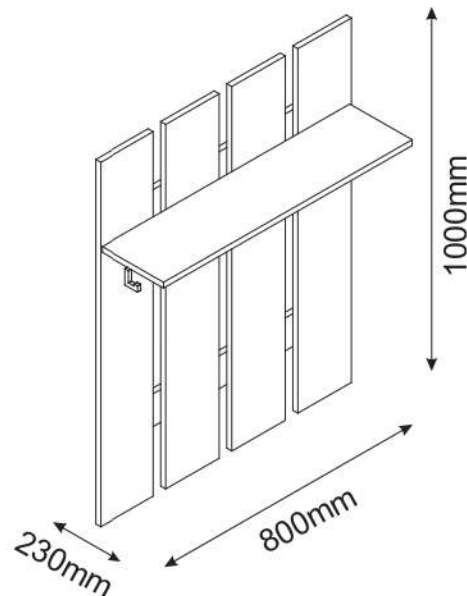
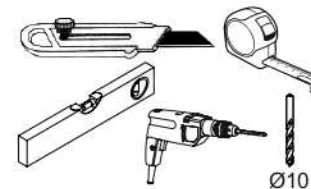
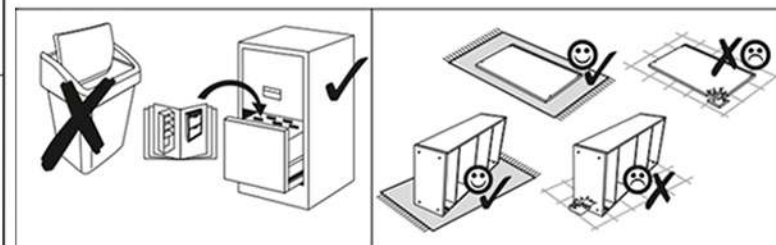


# AIRON 80

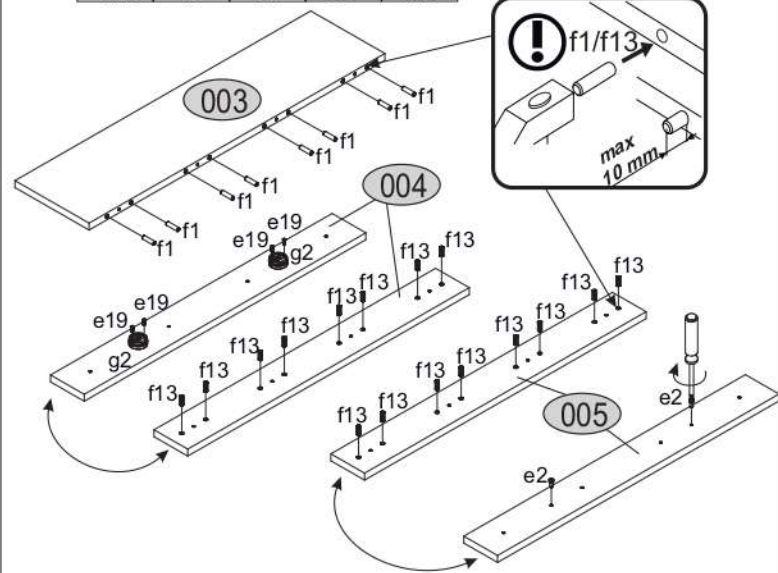


| COD       | DIMENSIUNE |     |    |   | PACHET |
|-----------|------------|-----|----|---|--------|
| 001       | 1000       | 170 | 16 | 4 | 1/1    |
| 003       | 790        | 198 | 16 | 1 | 1/1    |
| 004       | 752        | 90  | 16 | 1 | 1/1    |
| 005       | 752        | 90  | 16 | 1 | 1/1    |
| ACCESORII |            |     |    | 1 | 1/1    |

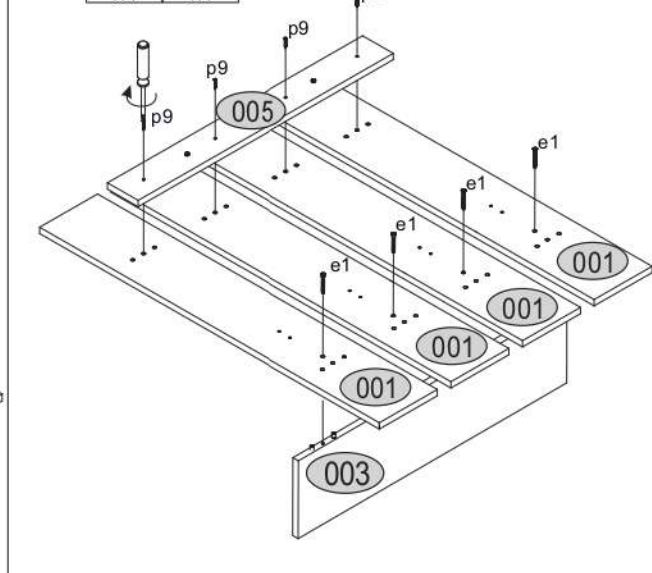
|                         |                       |                         |                       |
|-------------------------|-----------------------|-------------------------|-----------------------|
| 4x<br>e1<br>Ø7x50<br>   | 4x<br>e19<br>Ø5x9<br> | 2x<br>e2<br>Ø6.3x13<br> | 8x<br>f1<br>Ø8x30<br> |
| 16x<br>f13<br>Ø8x20<br> | 2x<br>f3<br>          | 2x<br>g2<br>            | 8x<br>j8<br>Ø4x25<br> |
| 2x<br>p17<br>Ø6x50<br>  | 8x<br>p9<br>Ø4x30<br> | 4x<br>g435.12<br>       | 1x<br>z1<br>          |



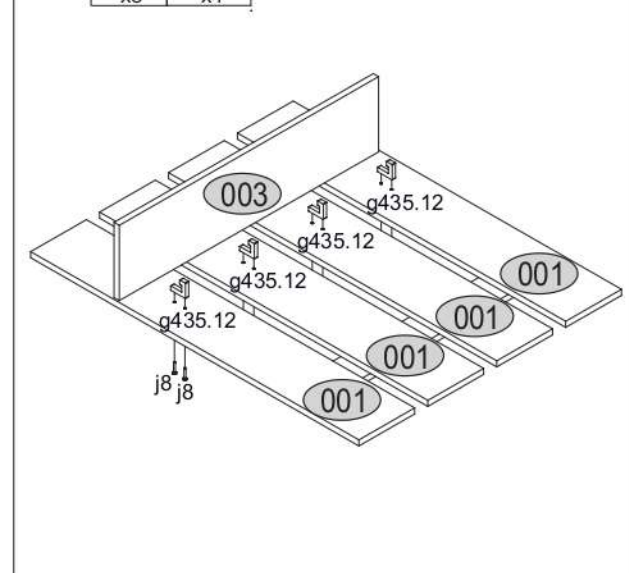
- 1**
- |     |     |    |    |    |
|-----|-----|----|----|----|
| f13 | e19 | f1 | g2 | e2 |
| x16 | x4  | x8 | x2 | x2 |



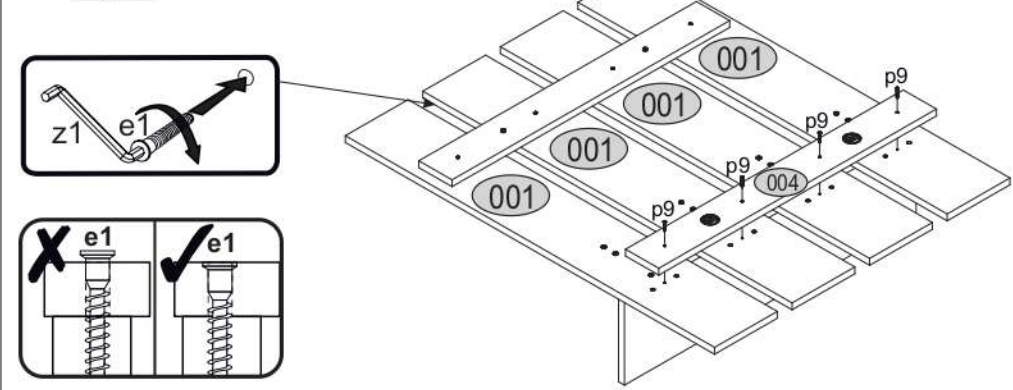
- 2**
- |    |    |
|----|----|
| p9 | e1 |
| x4 | x4 |



- 3**
- |    |         |
|----|---------|
| j8 | g435.12 |
| x8 | x4      |



- 4**
- |    |
|----|
| p9 |
| x4 |



- 5**
- |    |     |
|----|-----|
| f3 | p17 |
| x2 | x2  |

